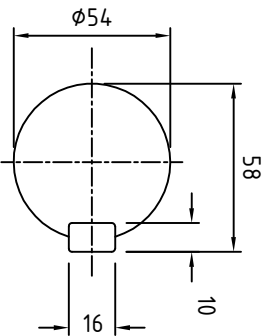
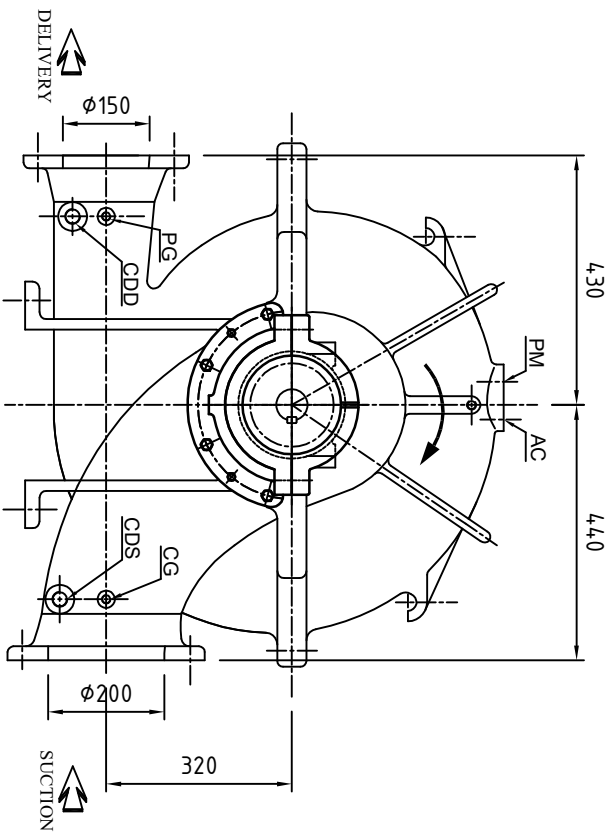
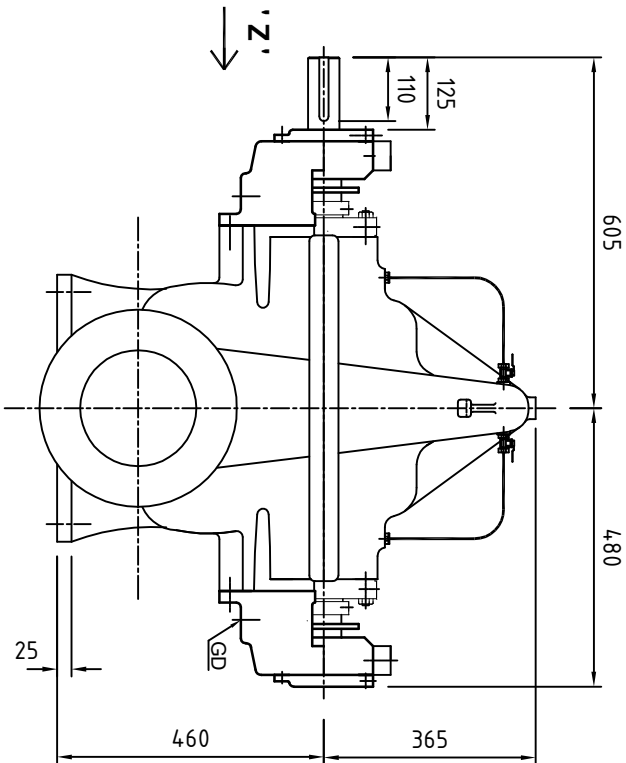


PUMP MODEL - 6HF21

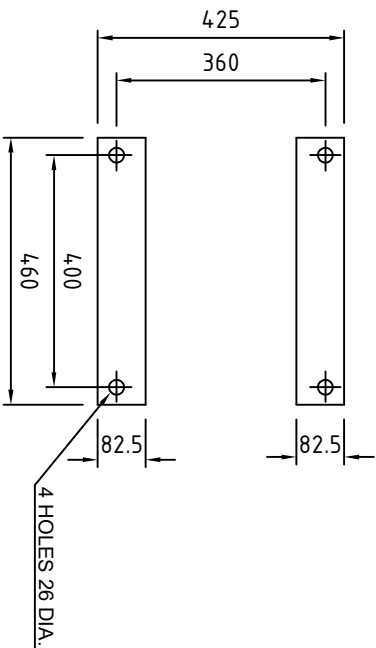
GENERAL ARRANGEMENT DRAWING FOR SINGLE STAGE AXIALLY SPLIT CASE PUMP MODEL - 6HF21



SCALE - 5:1
DETAIL OF SHAFT
AT COUPLING END

CLOCK-WISE ROTATION
LOOKING FROM DRIVE END

VIEW IN DIRECTION OF 'Z'



PLAN OF PUMP FEET

APPROX. NET WEIGHT - 600kg.
ALL DIMENSIONS ARE IN MM.



ITEM	DESCRIPTION	SIZE(NPT)
GD	GLAND DRAIN	1/2"
CG	COMPOUND GAUGE FOR SUCTION	3/8"
PG	PRESSURE GAUGE FOR DELIVERY	3/8"
AC	AIR COCK	3/8"
PM	PRIMING	3/4"
CDS	CASING DRAIN(SUCTION SIDE)	3/4"
CDD	CASING DRAIN(DELIVERY SIDE)	3/4"

** GAUGE CONNECTIONS DRILLED AND TAPPED ONLY WHEN SPECIFICALLY REQUESTED BY THE CUSTOMER.

S	PN 16	340	295	24	12, Ø22	—	—	285	240	22	8, Ø22	—	—
D	PN 16												
REF. NO.	TYPE OF FLANGE	O.D.	P.C.D.	THK NO. OF HOLE	SIZE OF HOLE	RF THK	Ø RF THK	O.D.	P.C.D.	THK NO. OF HOLE	SIZE OF HOLE	RF THK	Ø RF THK
				SUCTION - Ø200 (8")				DELIVERY - Ø150 (6")					

REV	DESCRIPTION	TOLERANCE	DRN	CHKD	DATE

TITLE - GA DRG. FOR 6HF21

DRG. NO. 8172640

PSF/6HF21/04-01

PUMPSENSE

SCALE 1:1

REV 0

DRN AD 05.04.16

CHKD SP 05.04.16

APPD HS 05.04.16