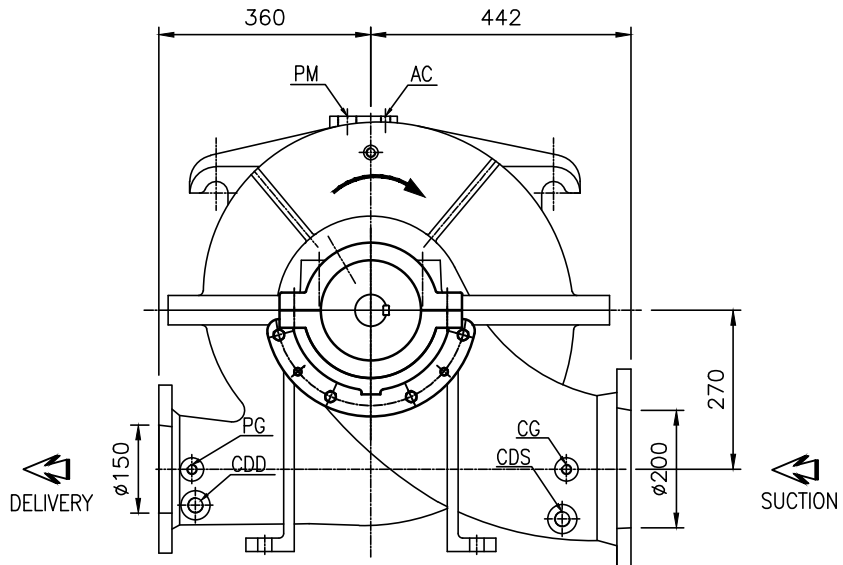
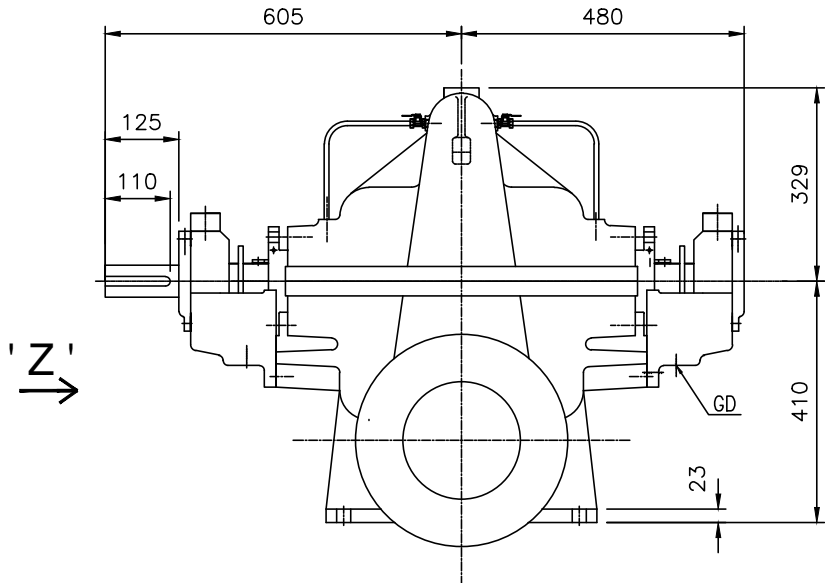
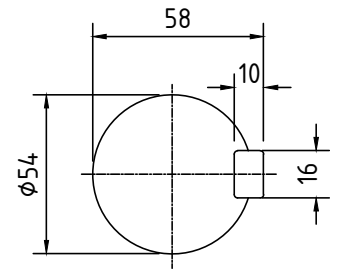


GENERAL ARRANGEMENT DRAWING FOR SINGLE STAGE AXIALLY SPLIT CASE PUMP MODEL - 6HF18

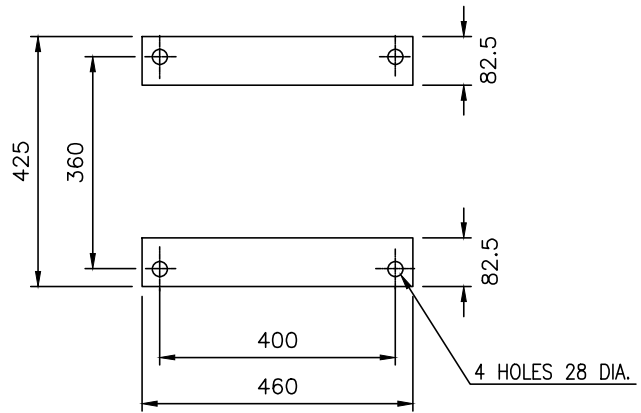


CLOCK-WISE ROTATION
LOOKING FROM DRIVE END



SCALE - 5:1
SHAFT DETAIL AT
COUPLING END

VIEW IN DIRECTION OF ' Z '



PLAN OF PUMP FEET

APPROX. NET WEIGHT - 660kg.
ALL DIMENSIONS ARE IN MM.



CONNECTION		
ITEM	DESCRIPTION	SIZE(NPT)
GD	GLAND DRAIN	3/4"
CG	COMPOUND GAUGE FOR SUCTION	3/8"
PG	PRESSURE GAUGE FOR DELIVERY	3/8"
AC	AIR COCK	3/8"
PM	PRIMING	1"
CDS	CASING DRAIN(SUCTION SIDE)	3/4"
CDD	CASING DRAIN(DELIVERY SIDE)	3/4"

** GAUGE CONNECTIONS DRILLED AND TAPPED ONLY WHEN SPECIFICALLY REQUESTED BY THE CUSTOMER.

S	PN 16	340	295	24	12, Ø22	—	—									
D	PN 16							285	240	22	8, Ø22	—	—			
REF. NO.	TYPE OF FLANGE	O.D.	P.C.D.	THK MIN	NO. SIZE OF HOLE	RF	ØRF. THK RF FLANGE	O.D.	P.C.D.	THK MIN	NO. SIZE OF HOLE	RF	ØRF. THK RF FLANGE	SUCTION - Ø200		
														DELIVERY - Ø150		

REV	DESCRIPTION	TOLLERANCE	DRN	CHKD

TITLE - GA DRG. FOR 6HF18		PUMPSENSE			 SCALE 1:1
DRG. NO. PSF/6HF18/GA-01	8102640	DRN	AD	04.04.16	
		CHKD	SP	04.04.16	REV 0
		APPD	HS	04.04.16	