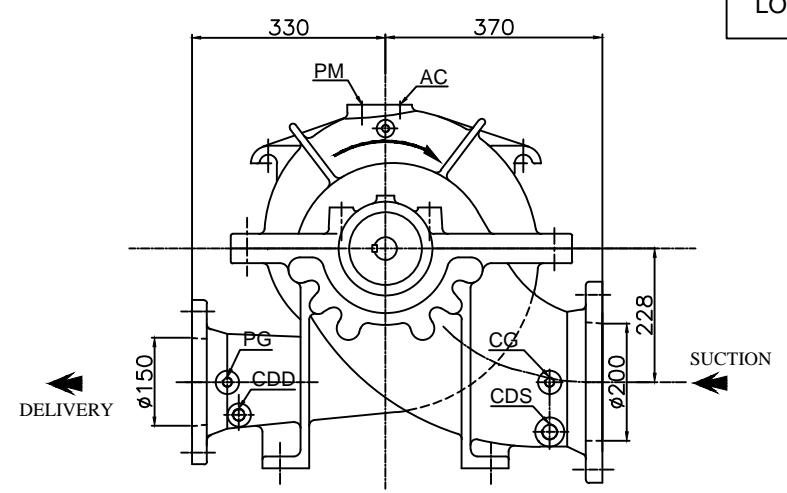
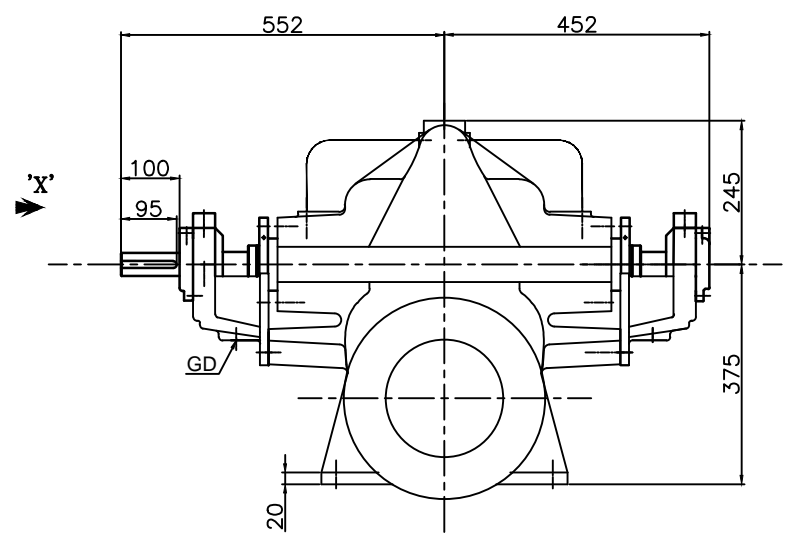
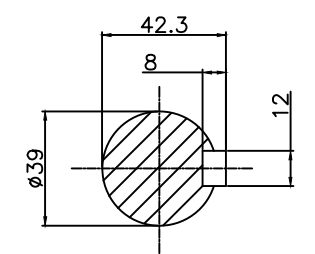


GENERAL ARRANGEMENT DRAWING FOR SINGLE STAGE AXIALLY SPLIT CASE PUMP MODEL - 6HF12



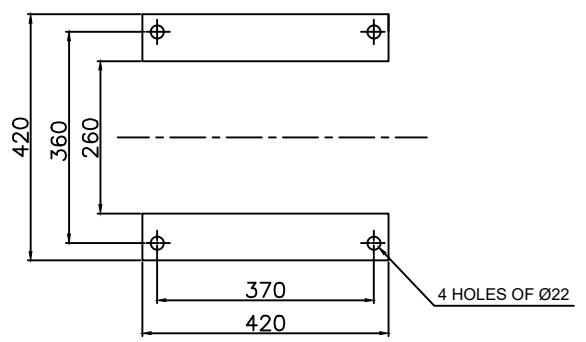
CLOCK-WISE ROTATION
LOOKING FROM DRIVE END



SCALE - 5:1
SHAFT DETAIL AT
COUPLING END

VIEW IN DIRECTION OF ' X '

APPROX. NETT WEIGHT - 392kg.
ALL DIMENSIONS ARE IN MM.



PLAN OF PUMP FEET



CONNECTION		
ITEM	DESCRIPTION	1-F
GD	GLAND DRAIN	1/2"
CG	COMP. GAUGE FOR SUCTION	3/8"
PG	PR. GAUGE FOR DELIVERY	3/8"
AC	AIR COCK	3/8"
PM	PRIMING	3/4"
CDS	CASING DRAIN(SUCT.SIDE)	1/2"
CDD	CASING DRAIN(DELY.SIDE)	1/2"

FLANGE TABLE

REF. NO.	TYPE OF FLANGE	O.D.	P.C.D.	THK MIN	NO. OF HOLES	SIZE OF HOLE	RF	DRF	THK	RF FLANGE	O.D.	P.C.D.	THK MIN	NO. OF HOLES	SIZE OF HOLE	RF	DRF	THK	RF FLANGE	
S	ANSI 125#FF	13-1/2"	11-3/4"	1-1/8"	8	Ø 7/8"	—	—	—	—	—	—	—	—	—	—	—	—	—	—
D	ANSI 250#FF	—	—	—	—	—	—	—	—	—	12-1/2"	10-5/8"	1-7/16"	12	Ø 7/8"	—	—	—	—	—
SUCTION - 200(8")											DELIVERY - 150(6")									

REV	DESCRIPTION	DRN	CHKD	APPD	HS	13.05.13	DRG. NO.	8072640	PSF/6HF12/GA-01/0	SCALE	1:1
0											

