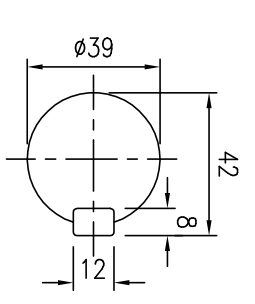
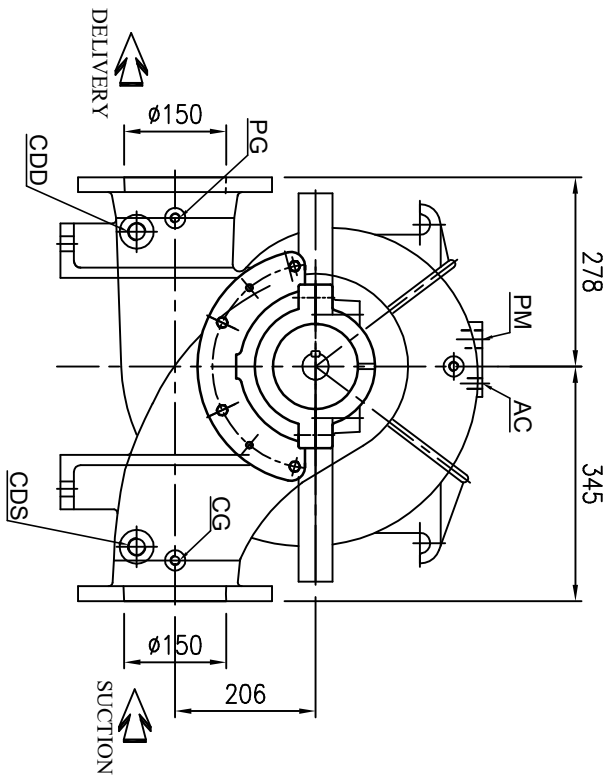
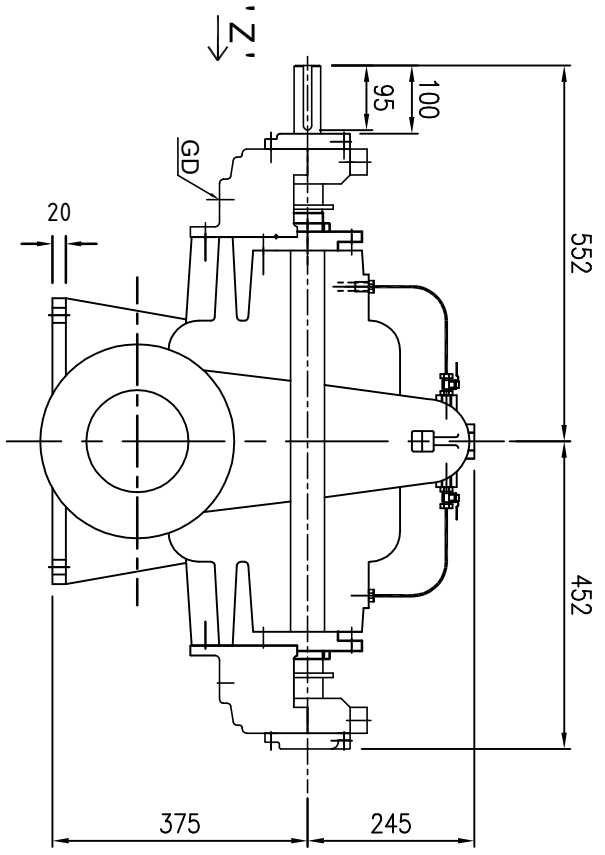


PUMP MODEL - 6HF10

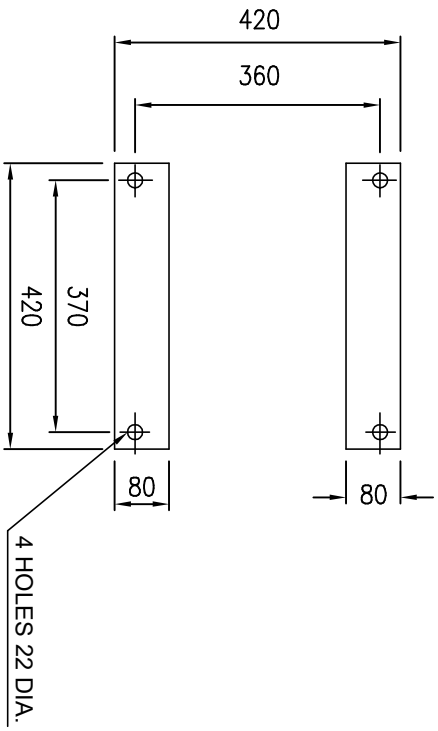
GENERAL ARRANGEMENT DRAWING FOR SINGLE STAGE AXIALLY SPLIT CASE PUMP MODEL - 6HF10



CLOCK-WISE ROTATION  
LOOKING FROM DRIVE END

SCALE - 5:1  
SHAFT DETAIL AT  
COUPLING END

VIEW IN DIRECTION OF 'Z'



PLAN OF PUMP FEET

APPROX. NET WEIGHT - 334kg.  
ALL DIMENSIONS ARE IN MM.



ITEM	DESCRIPTION	CONNECTION	SIZE(NPT)
GD	GLAND DRAIN		1/2"
CG	COMPOUND GAUGE FOR SUCTION		3/8"
PG	PRESSURE GAUGE FOR DELIVERY		3/8"
AC	AIR COCK		3/8"
PM	PRIMING		3/4"
CDS	CASING DRAIN(SUCTION SIDE)		3/4"
CDD	CASING DRAIN(DELIVERY SIDE)		3/4"

\*\* GAUGE CONNECTIONS DRILLED AND TAPPED ONLY  
WHEN SPECIALLY REQUESTED BY THE CUSTOMER.

S	ANSI 125#FF		11°	9-1/2°	1'	8, φ7/8'	REF. THK	R.F. FLANGE	O.D. P.C.D.	THK OF HOLE	NO. OF HOLES	REF. THK	R.F. FLANGE	O.D. P.C.D.	THK OF HOLE	NO. OF HOLES	REF. THK	R.F. FLANGE	
	ANSI 250#FF	11°																	
D	ANSI 125#FF	ANSI 250#FF	11°	9-1/2°	1'	8, φ7/8'													

REV	DESCRIPTION	DRN	CHKD	APPD	DATE	TITLE	SCALE
						PUMPSENSE	1:1
						GA DRAWING FOR 6HF10 (CW)	1:1
						DRG. NO. 6HF10/GA-01/0	