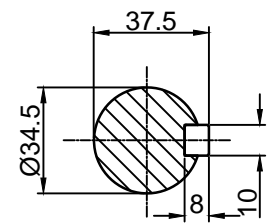
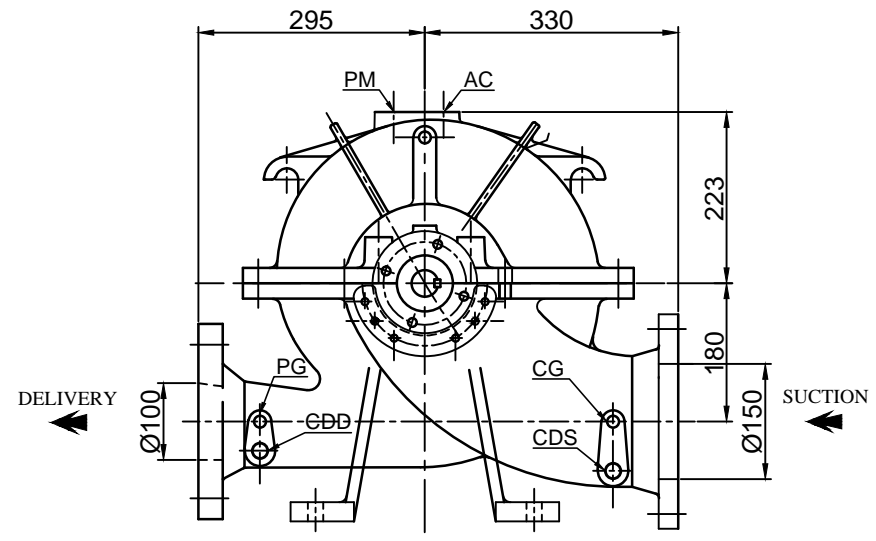
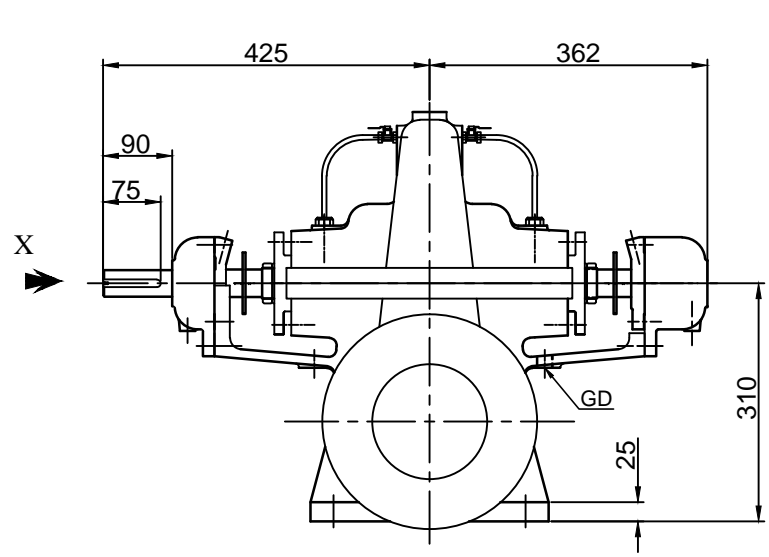


PUMP MODEL - 4HF12L

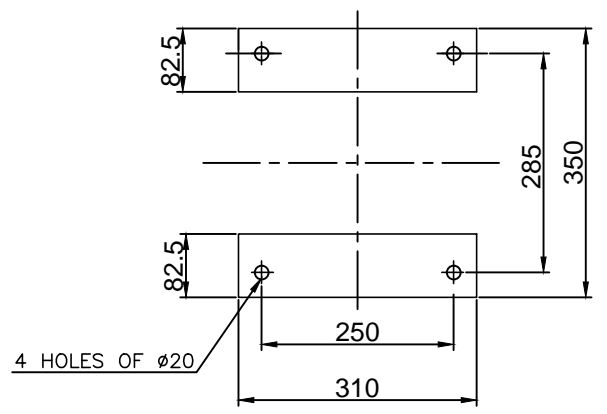
GENERAL ARRANGEMENT DRAWING FOR SINGLE STAGE AXIALLY SPLIT CASE PUMP MODEL - 4HF12L

CLOCK-WISE ROTATION  
LOOKING FROM DRIVE END



SCALE - 4:1  
SHAFT DETAIL AT  
COUPLING END

VIEW IN DIRECTION OF 'X'



PLAN OF PUMP FEET

ALL DIMENSIONS ARE IN MM.  
APPROX. NETT WEIGHT - 224kg.



CONNECTIONS		
ITEM	DESCRIPTION	SIZE (NPT)
GD	GLAND DRAIN	1/2"
CG	COMP. GAUGE FOR SUCTION	3/8"
PG	PR. GAUGE FOR DELIVERY	3/8"
AC	AIR COCK	3/8"
PM	PRIMING	1/2"
CDS	CASING DRAIN (SUCT.SIDE)	1/2"
CDD	CASING DRAIN (DELY.SIDE)	1/2"

FLANGE TABLE														
REF. NO.	TYPE OF FLANGE	O.D.	P.C.D.	THK MIN	NO. OF HOLES	SIZE OF HOLE	RF	DRF	THK	RF	DRF	THK	RF	DRF
S	ANSI 125#FF	11"	9-1/2"	1"	8	ø7/8"	—	—						
D	ANSI 250#FF								10"	7-7/8"	1-1/4"	8	ø7/8"	—
SUCTION - 150(6")							DELIVERY - 100(4")							

PUMPSENSE										
TITLE - GA DRAWING FOR 4HF12L										
DRN		AD		28.11.16		DRG. NO.				
CHKD		SP		28.11.16		PSF/4HF12L/GA-01/0				
APPD		HS		28.11.16		REV				
REV	DESCRIPTION	DRN	CHKD	APPD	HS	28.11.16	SCALE 1:1			0