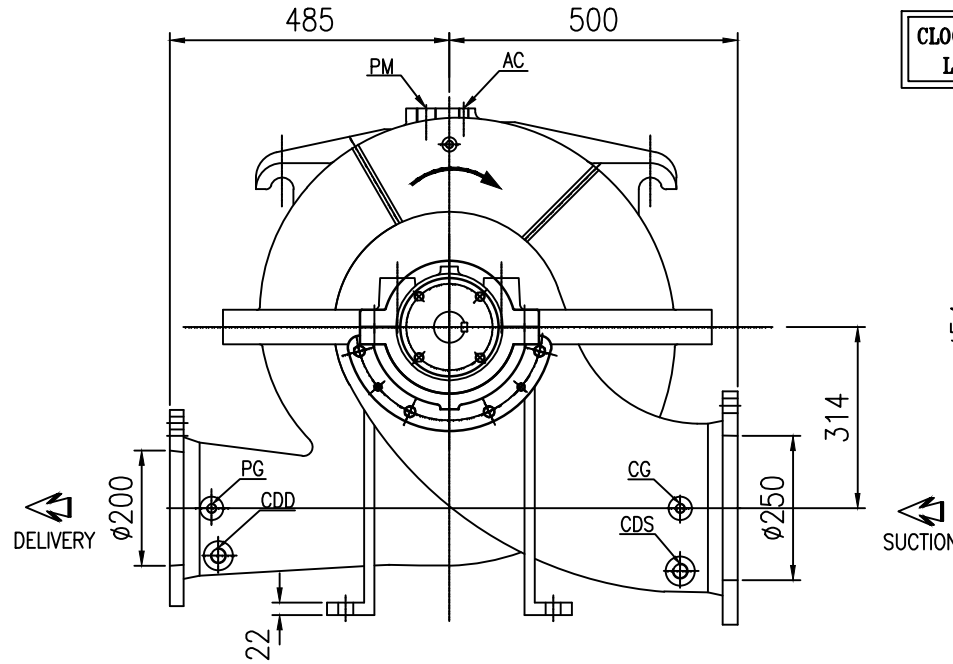
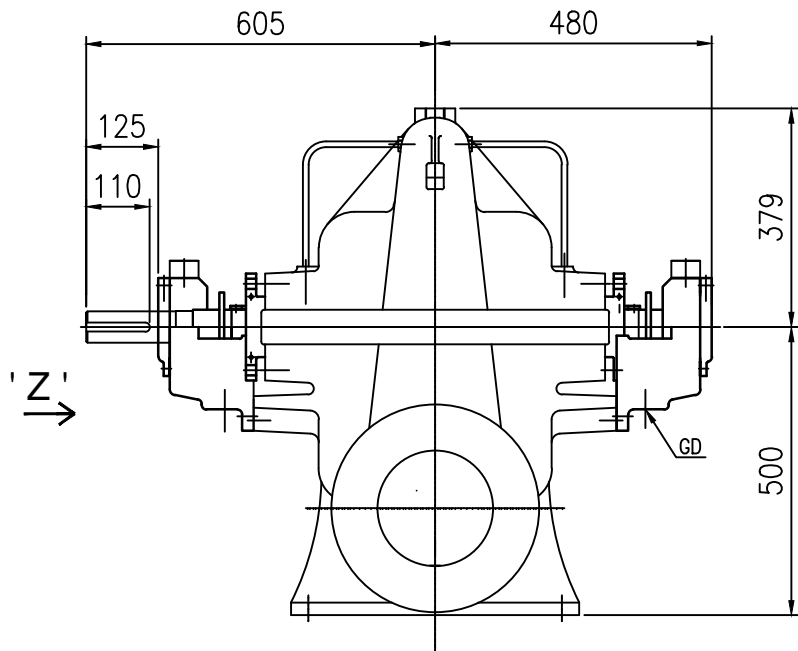
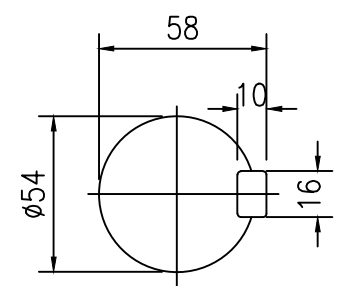


PUMP MODEL - 8HF21

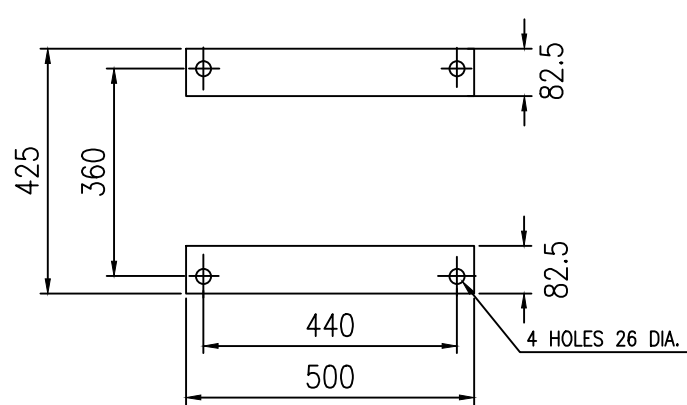
GENERAL ARRANGEMENT DRAWING FOR SINGLE STAGE AXIALLY SPLIT CASE PUMP MODEL - 8HF21



CLOCK-WISE ROTATION
LOOKING FROM DRIVE END



SCALE - 5:1
SHAFT DETAIL AT
COUPLING END



PLAN OF PUMP FEET

APPROX. NET WEIGHT - 840kg.
ALL DIMENSIONS ARE IN MM.



CONNECTION		
ITEM	DESCRIPTION	SIZE(NPT)
GD	GLAND DRAIN	3/4"
CG	COMPOUND GAUGE FOR SUCTION	3/8"
PG	PRESSURE GAUGE FOR DELIVERY	3/8"
AC	AIR COCK	3/8"
PM	PRIMING	1"
CDS	CASING DRAIN(SUCTION SIDE)	3/4"
CDD	CASING DRAIN(DELIVERY SIDE)	3/4"

** GAUGE CONNECTIONS DRILLED AND TAPPED ONLY
WHEN SPECIFICALLY REQUESTED BY THE CUSTOMER.

S	PN 16	405	355	26	12, Ø26	—	—								
D	PN 16							340	295	24	12, Ø22	—	—		
REF. NO.	TYPE OF FLANGE	O.D.	P.C.D.	THK MIN	NO. SIZE OFF HOLE	RF	ØRF. THK RF FLANGE	O.D.	P.C.D.	THK MIN	NO. SIZE OF HOLE	RF	ØRF. THK RF FLANGE		
		SUCTION - Ø250						DELIVERY - Ø200							

REV	DESCRIPTION	TOLERANCE	DRN	CHKD	DATE

TITLE - GA DRG. FOR 8HF21		PUMPSENSE FACTORY ADDRESS: Vill - Salsanki, G.P.P. Colony, Mukundesh Road, Near Salsanki High School, Hosur - 711112			 SCALE 1:1
DRG. NO. PSF/8HF21/GA-01	8152640	DRN	AD	05.04.16	
		CHKD	SP	05.04.16	REV 0
		APPD	HS	05.04.16	