

TEST CURVE OF 4HF12L @2950 R.P.M



HF RANGE

MODEL 4HF12L



SIZE 150x100-310

TYPE-AXIALLY SPLIT CASE SINGLE STAGE

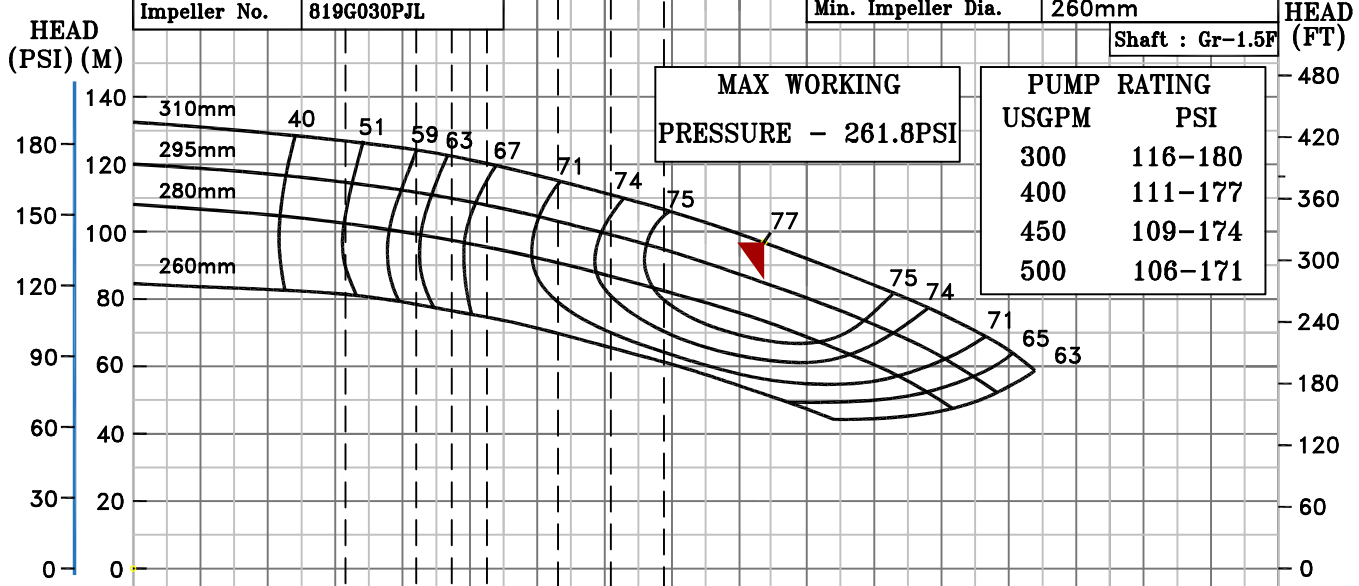
RATED CAPACITY- 300,400,450&500 USGPM

SPEED 2950 rpm

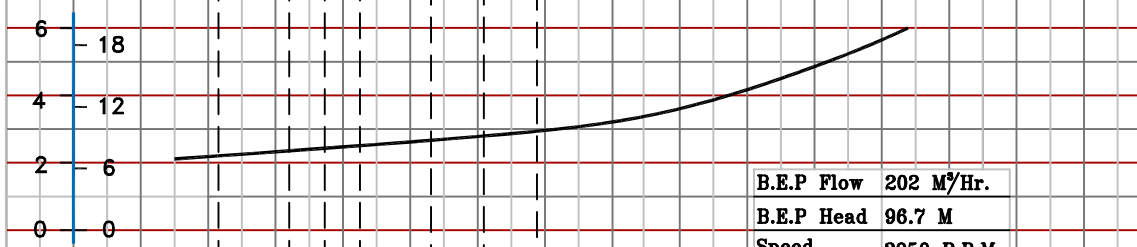
TEST DATE- 24.01.19

PUMP PERFORMANCE CHARACTERISTICS COMPUTED BASED ON CLEAN COLD WATER S.G 1.0

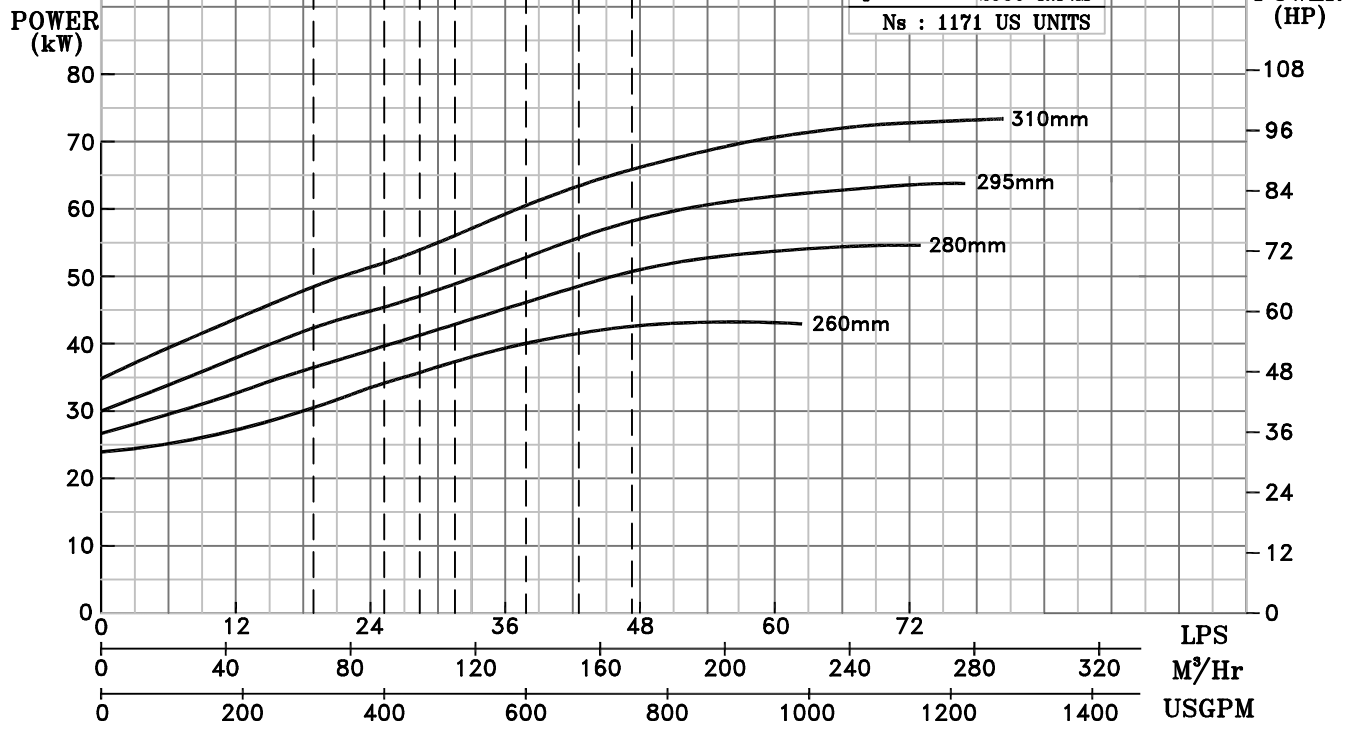
Curve No.	802952	Max. Impeller Dia.	310mm
Impeller No.	819G030PJL	Min. Impeller Dia.	260mm
		Shaft	Gr-1.5F



NPSHr
(M) (FT)



B.E.P Flow 202 M³/Hr.
B.E.P Head 96.7 M
Speed 2950 R.P.M
Ns : 1171 US UNITS



2950 RPM