

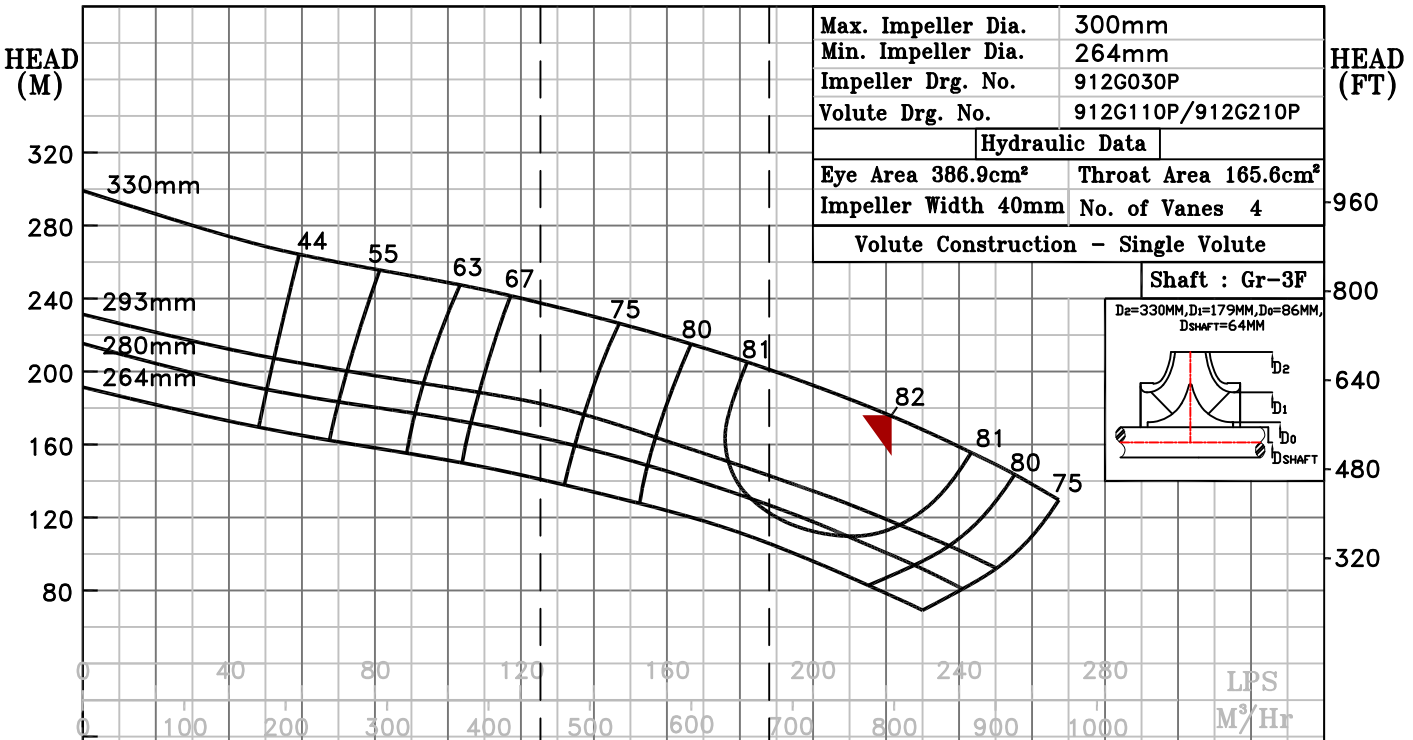
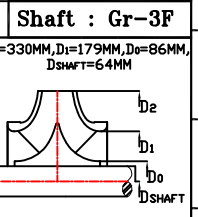
NOTE- PERFORMANCE AS PER ISO 9906 GRADE-2B

PERFORMANCE CURVE OF 6HFTD12S @2960 R.P.M		6HFTD12S/Y/901252	
 <h1>PUMPSENSE</h1> <p>HFT RANGE</p>	MODEL 6HFTD12S	WORKING PRESS.	36 bar
	SIZE 200x150-330	TEST PRESS.	54 bar
	TYPE-AXIALLY SPLIT CASE SINGLE STAGE		SPEED 2960 rpm

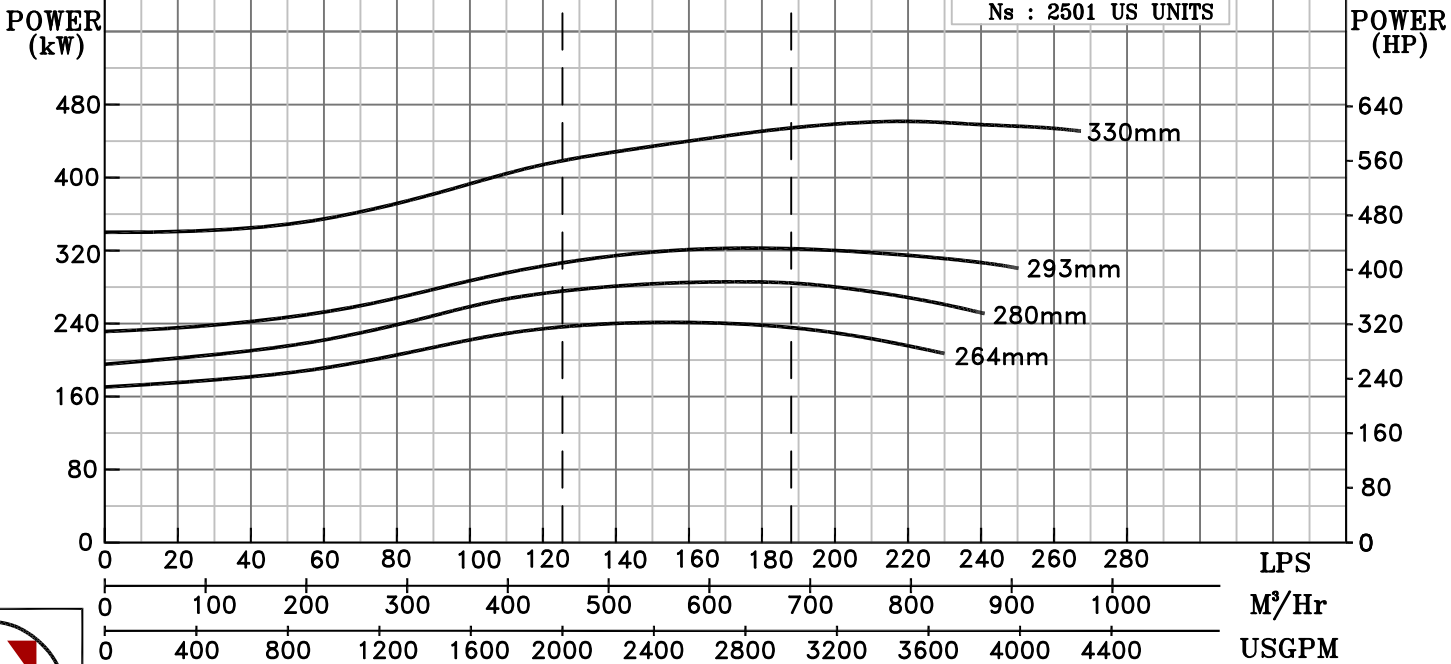
RATED CAPACITY - 2000 USGPM

PUMP PERFORMANCE CHARACTERISTICS COMPUTED BASED ON CLEAN COLD WATER S.G 1.0

Max. Impeller Dia.	300mm
Min. Impeller Dia.	264mm
Impeller Drg. No.	912G030P
Volute Drg. No.	912G110P/912G210P
Hydraulic Data	
Eye Area 386.9cm ²	Throat Area 165.6cm ²
Impeller Width 40mm	No. of Vanes 4
Volute Construction - Single Volute	



B.E.P Flow	795 M ³ /Hr.
B.E.P Head	176 M
Speed	2960 R.P.M
Ns : 2501 US UNITS	



2960 RPM