


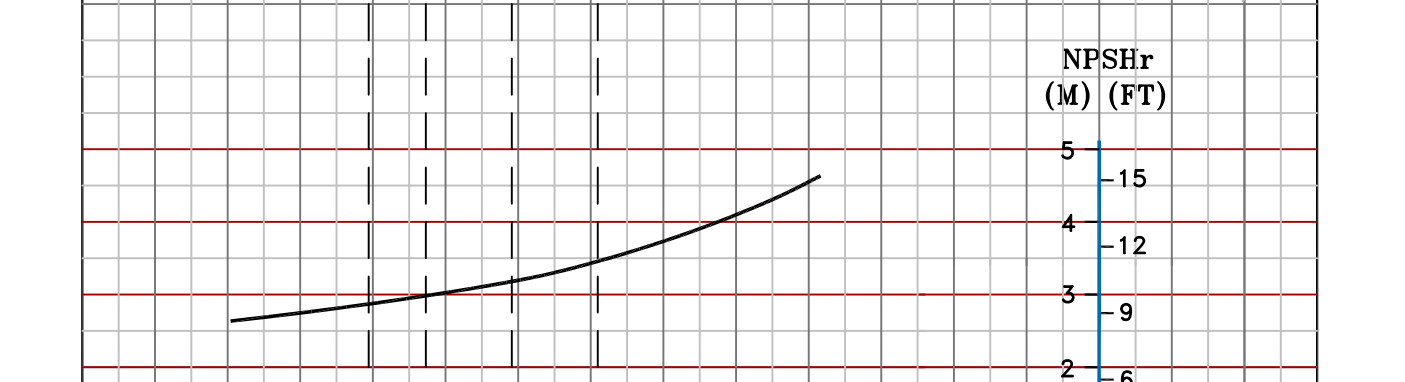
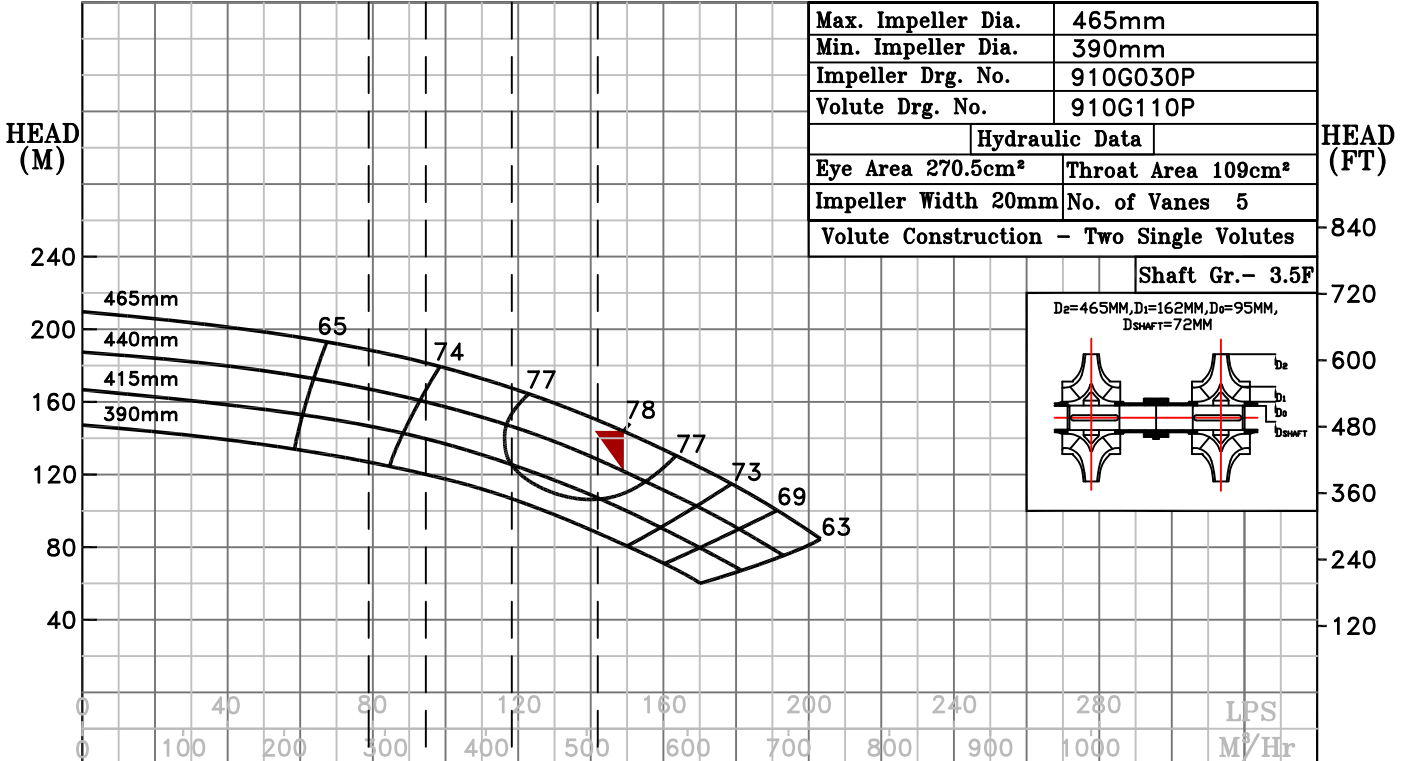
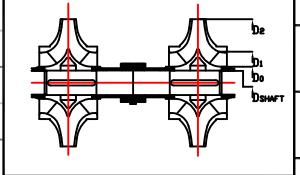
NOTE- PERFORMANCE AS PER ISO 9906 GRADE-2B

|  |                      |                                   |        |
|--|----------------------|-----------------------------------|--------|
| PERFORMANCE CURVE OF 6HFTD18 @1780 R.P.M   |                      | 6HFTD18/Y/911064                  |        |
|  <b>PUMPSENSE</b><br><i>HFT RANGE</i> | <b>MODEL 6HFTD18</b> | WORKING PRESS.                    | 30 bar |
|  | SIZE 200x150-465     | TEST PRESS.                       | 45 bar |
| RATED CAPACITY: 1250,1500 USGPM  |                      | TYPE-AXIALLY SPLIT CASE TWO STAGE |        |
|  |                      | SPEED 1780 rpm                    |        |
|  |                      | DATE - 24.04.18                   |        |

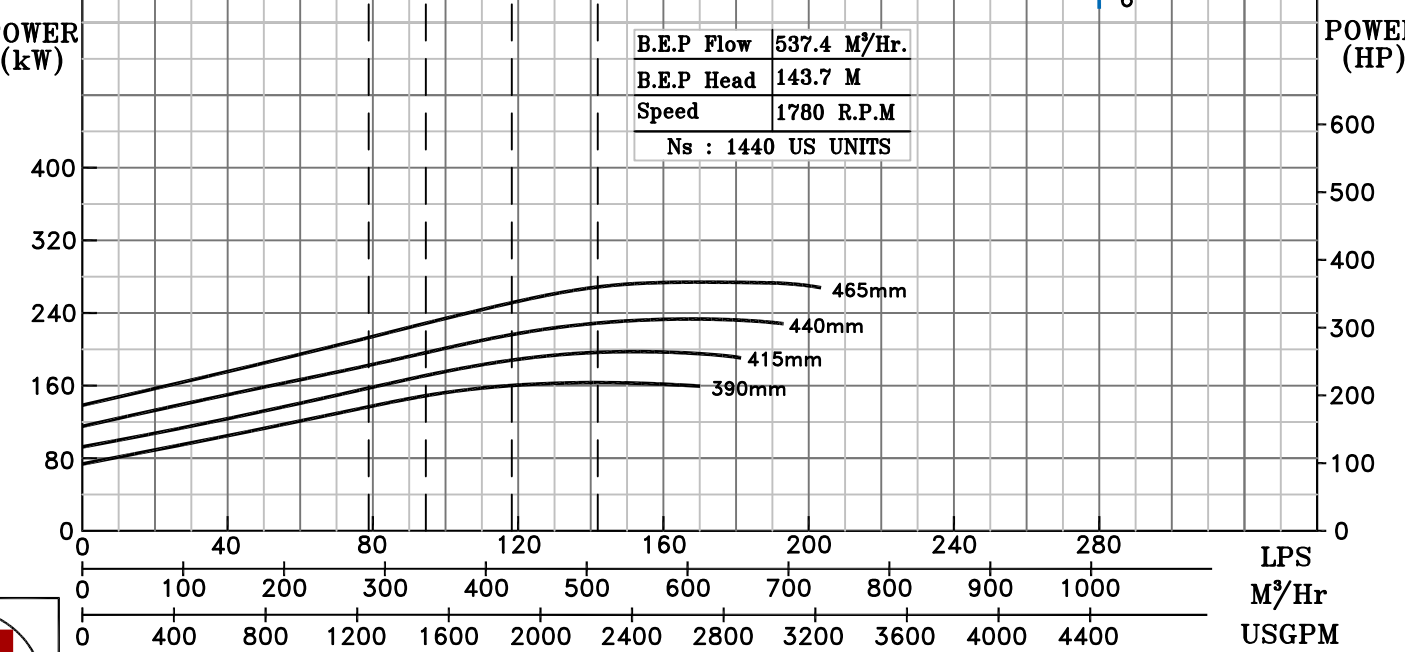
PUMP PERFORMANCE CHARACTERISTICS COMPUTED BASED ON CLEAN COLD WATER S.G 1.0

|   |                                |
|---|--------------------------------|
| Max. Impeller Dia.                      | 465mm                          |
| Min. Impeller Dia.                      | 390mm                          |
| Impeller Drg. No.                       | 910G030P                       |
| Volute Drg. No.                         | 910G110P                       |
| Hydraulic Data                          |                                |
| Eye Area 270.5cm <sup>2</sup>           | Throat Area 109cm <sup>2</sup> |
| Impeller Width 20mm                     | No. of Vanes 5                 |
| Volute Construction - Two Single Volute |                                |

|  |
|--|
| Shaft Gr.- 3.5F  |
| D <sub>e</sub> =465MM, D <sub>i</sub> =162MM, D <sub>o</sub> =95MM,<br>D <sub>SWFT</sub> =72MM |



|            |                           |
|------------|---------------------------|
| B.E.P Flow | 537.4 M <sup>3</sup> /Hr. |
| B.E.P Head | 143.7 M                   |
| Speed      | 1780 R.P.M                |
| Ns         | : 1440 US UNITS           |



1780 RPM