

NOTE- PERFORMANCE AS PER ISO 9906 GRADE-2B

PERFORMANCE CURVE OF 8HS21TA @980 R.P.M

8HS21TA/X/102856

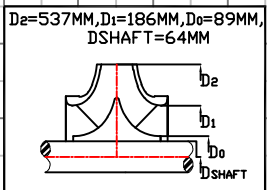
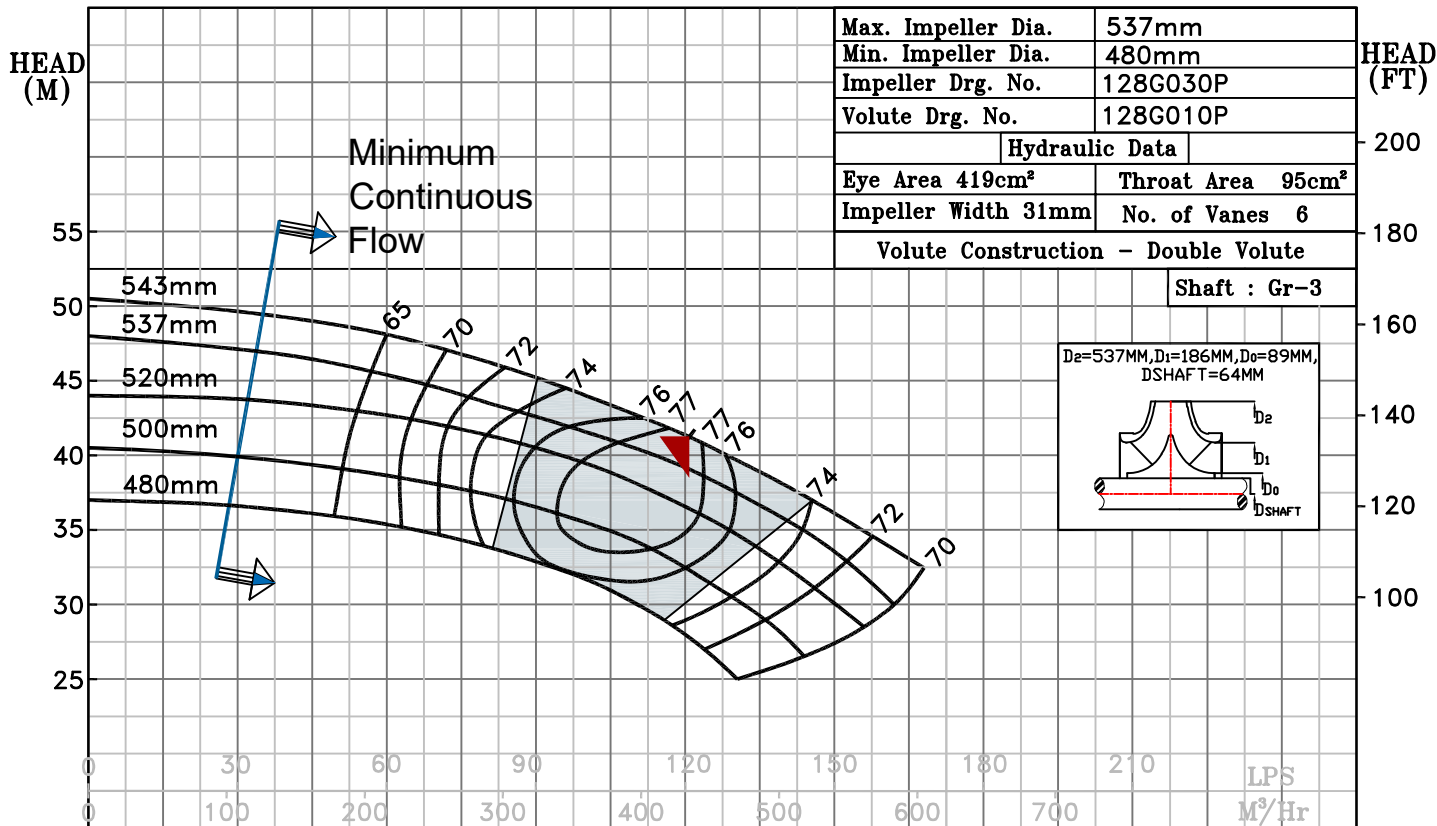


HS RANGE

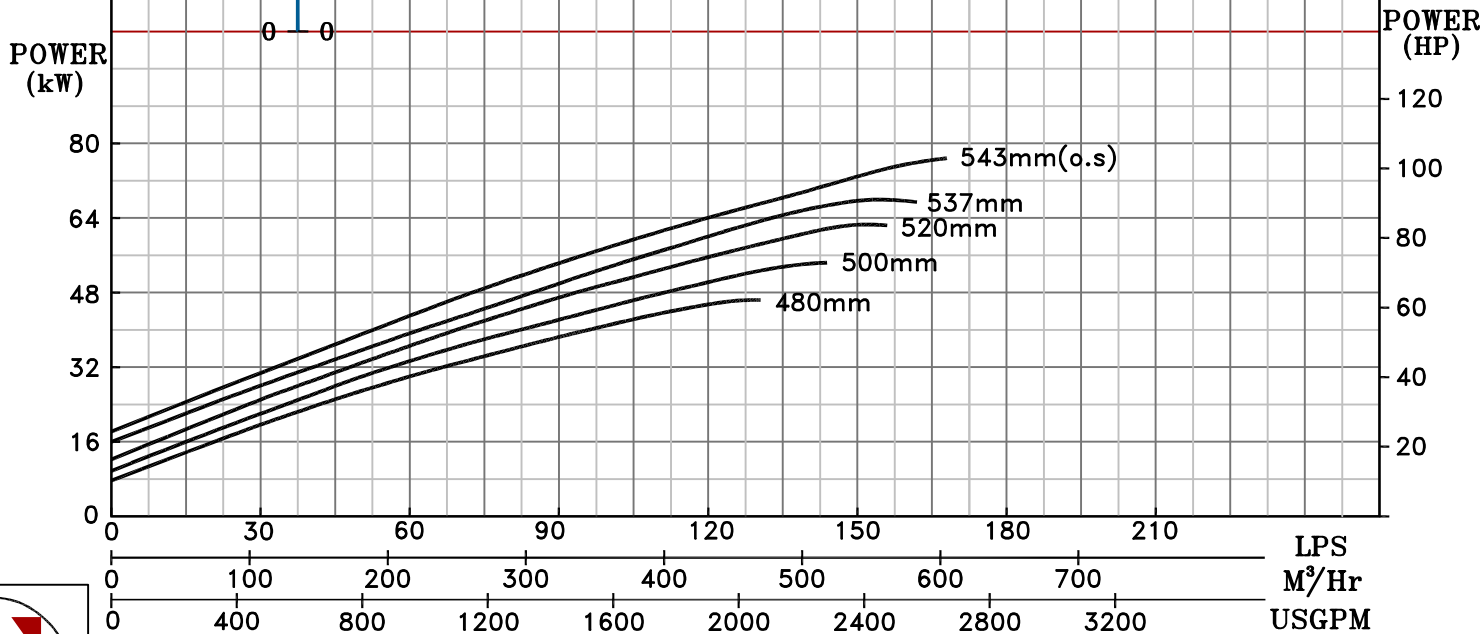
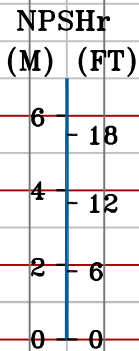
MODEL	8HS21TA	WORKING PRESS.	20 bar
SIZE	200x200-537	TEST PRESS.	30 bar
TYPE-AXIALLY SPLIT CASE SINGLE STAGE		SPEED	980 rpm
		DATE	- 06.10.2022

SHADED REGION ON THE H-Q CURVE REPRESENTS OPTIMUM SELECTION ZONE

PUMP PERFORMANCE CHARACTERISTICS COMPUTED BASED ON CLEAN COLD WATER S.G 1.0



B.E.P Flow	435 M³/Hr.
B.E.P Head	41.7 M
Speed	980 R.P.M
Ns : 1072 US UNITS	



980 RPM