

NOTE- PERFORMANCE AS PER ISO 9906 GRADE-2B

PERFORMANCE CURVE OF 8HS21TA @1480 R.P.M

8HS21TA/X/102854

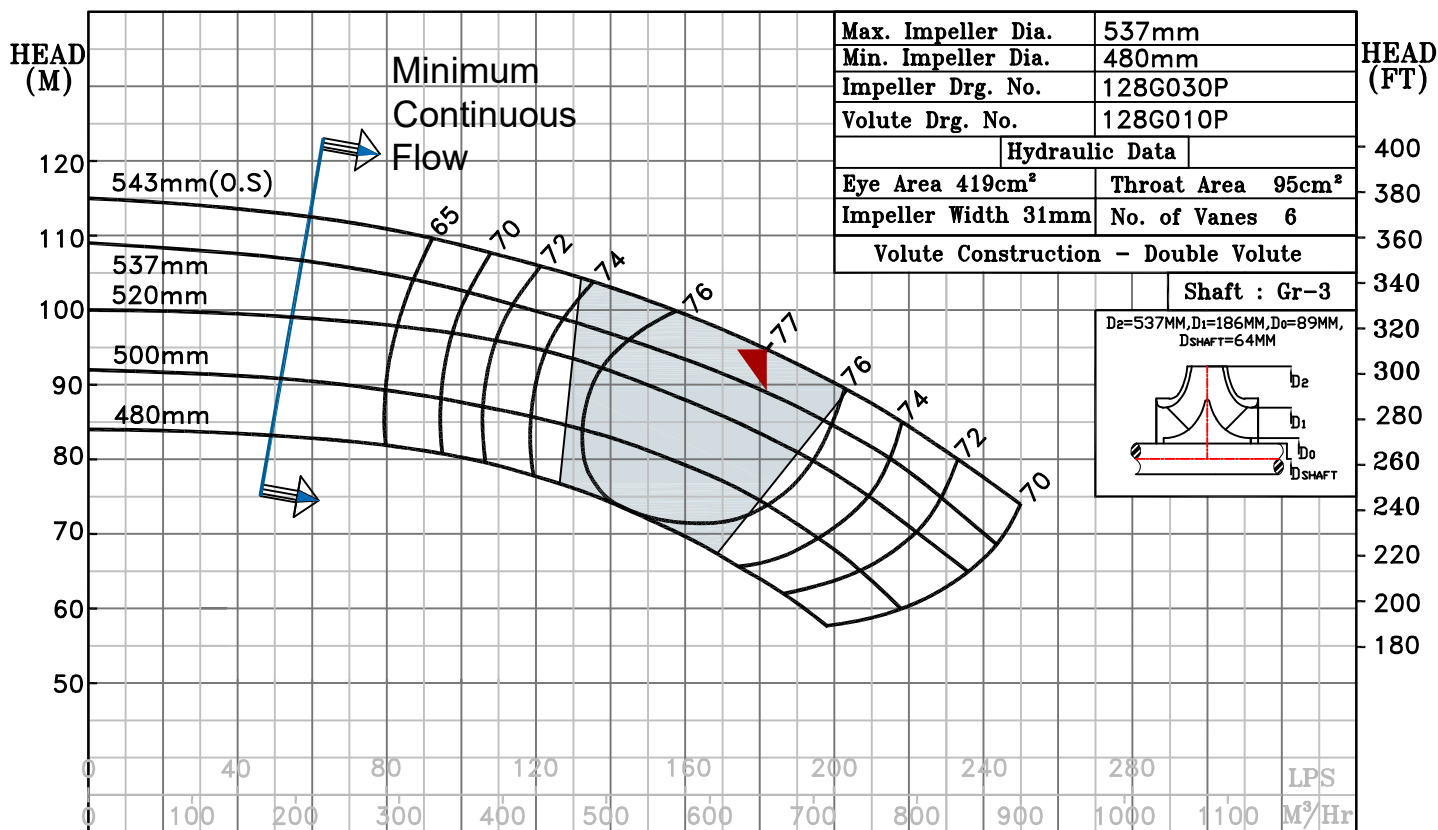


HS RANGE

MODEL	8HS21TA	WORKING PRESS.	20 bar
SIZE	200x200-537	TEST PRESS.	30 bar
TYPE-AXIALLY SPLIT CASE SINGLE STAGE		SPEED	1480 rpm
		DATE	06.10.2022

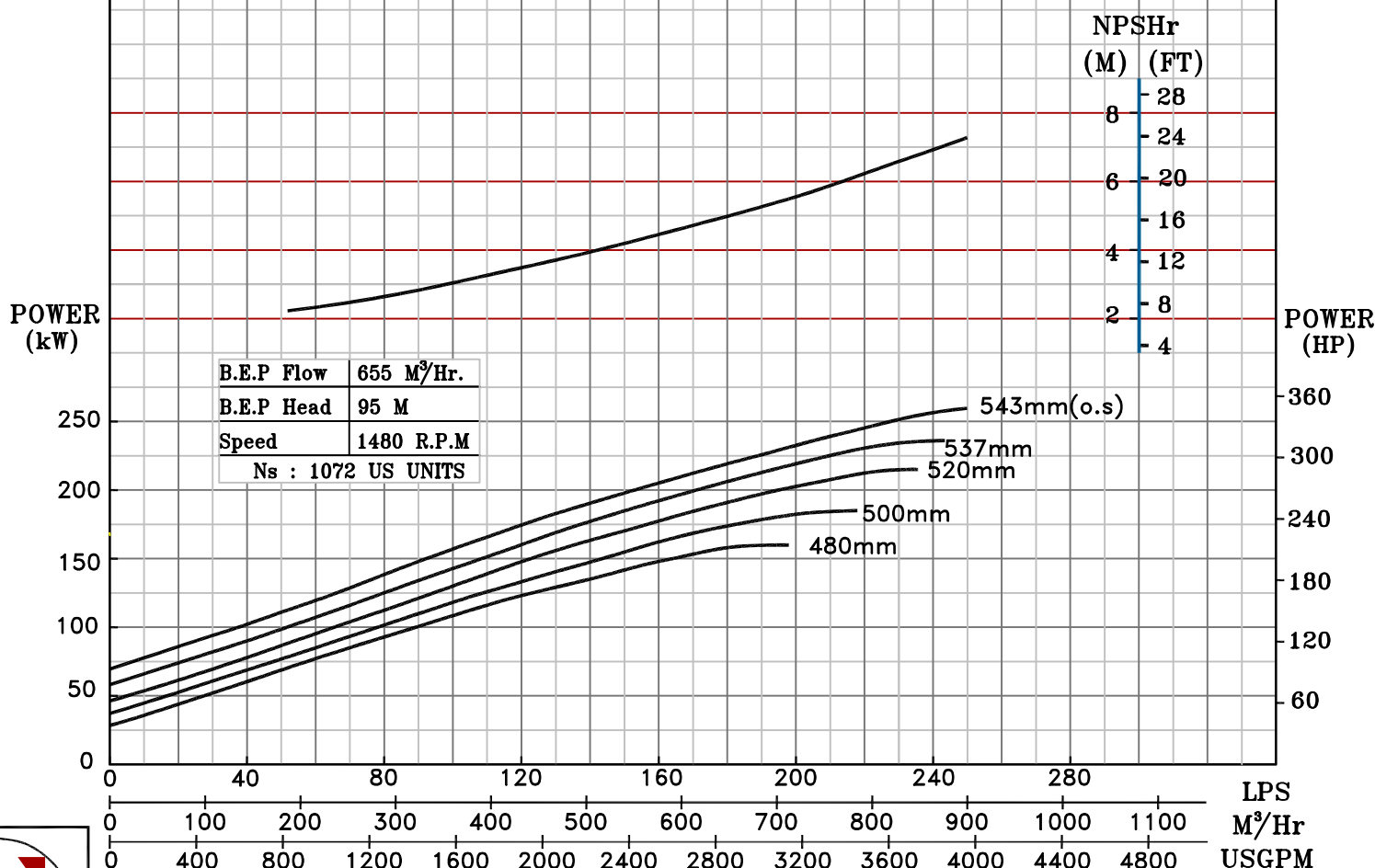
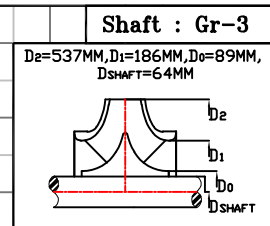
SHADED REGION ON THE H-Q CURVE REPRESENTS OPTIMUM SELECTION ZONE

PUMP PERFORMANCE CHARACTERISTICS COMPUTED BASED ON CLEAN COLD WATER S.G 1.0



Max. Impeller Dia.	537mm
Min. Impeller Dia.	480mm
Impeller Drg. No.	128G030P
Volute Drg. No.	128G010P

Hydraulic Data	
Eye Area 419cm <sup>2</sup>	Throat Area 95cm <sup>2</sup>
Impeller Width 31mm	No. of Vanes 6
Volute Construction - Double Volute	



B.E.P Flow	655 M <sup>3</sup> /Hr.
B.E.P Head	95 M
Speed	1480 R.P.M
Ns	: 1072 US UNITS

1480 RPM

