

NOTE- PERFORMANCE AS PER ISO 9906 GRADE-2B

PERFORMANCE CURVE OF 4HS13 @1480 R.P.M

4HS13/Y/108454



HS RANGE

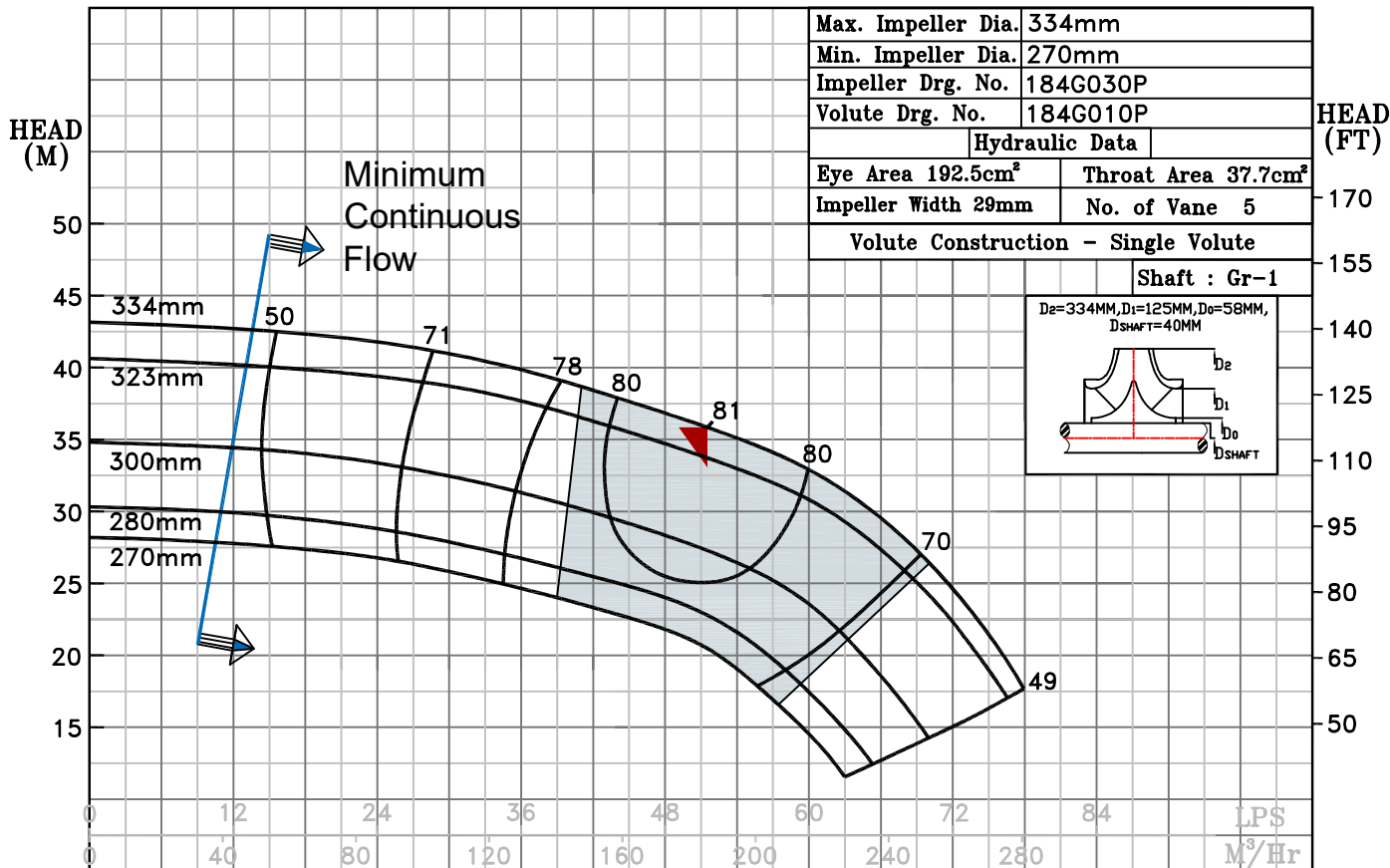
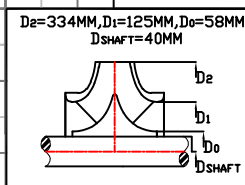
MODEL 4HS13	WORKING PRESS	16 bar
SIZE 125x100-334	TEST PRESS.	24 bar
TYPE-AXIALLY SPLIT CASE SINGLE STAGE		SPEED 1480 rpm
		DATE - 06.10.2022

SHADED REGION ON THE H-Q CURVE REPRESENTS OPTIMUM SELECTION ZONE

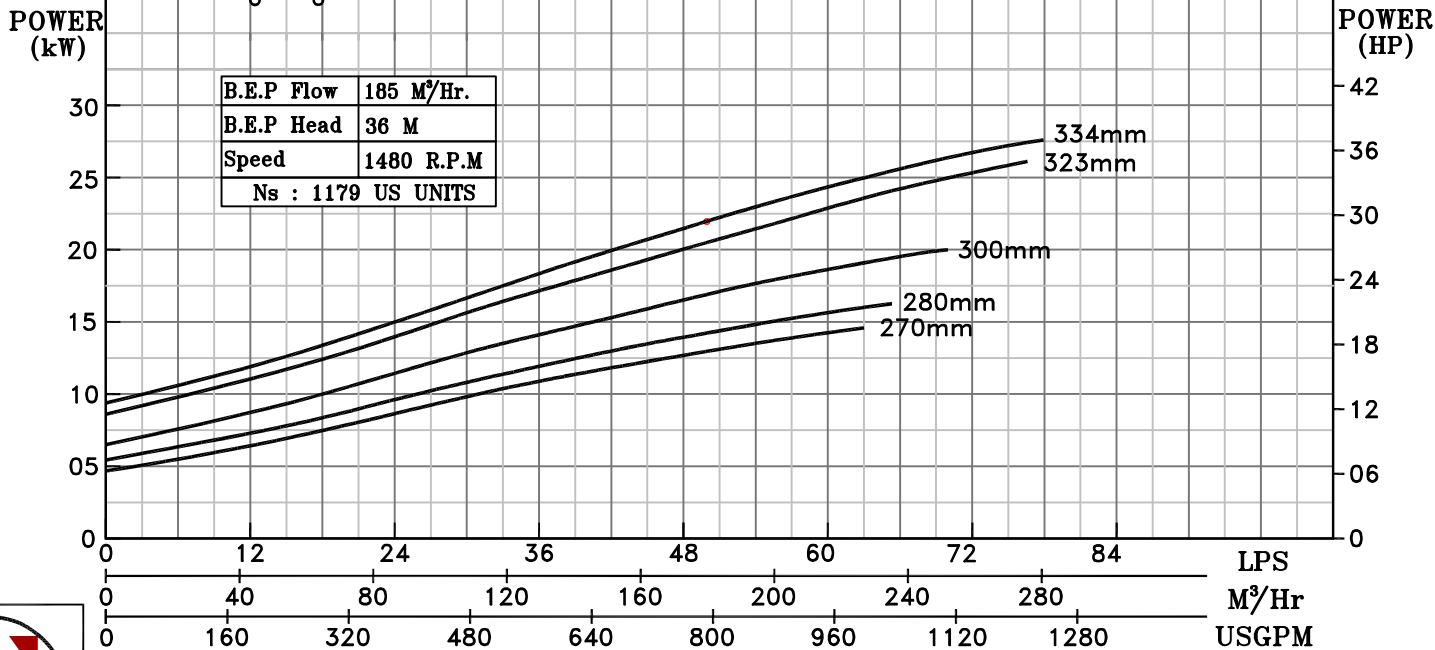
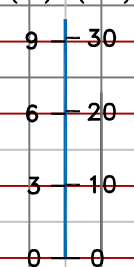
PUMP PERFORMANCE CHARACTERISTICS COMPUTED BASED ON CLEAN COLD WATER S.G 1.0

Max. Impeller Dia.	334mm
Min. Impeller Dia.	270mm
Impeller Drg. No.	184G030P
Volute Drg. No.	184G010P
Hydraulic Data	
Eye Area 192.5cm ²	Throat Area 37.7cm ²
Impeller Width 29mm	No. of Vane 5
Volute Construction - Single Volute	

Shaft : Gr-1



NPSHr
(M) (FT)



1480 RPM