

NOTE- PERFORMANCE AS PER ISO 9906 GRADE-2B

PERFORMANCE CURVE OF 4HS11 @1480 R.P.M

4HS11/X/100654

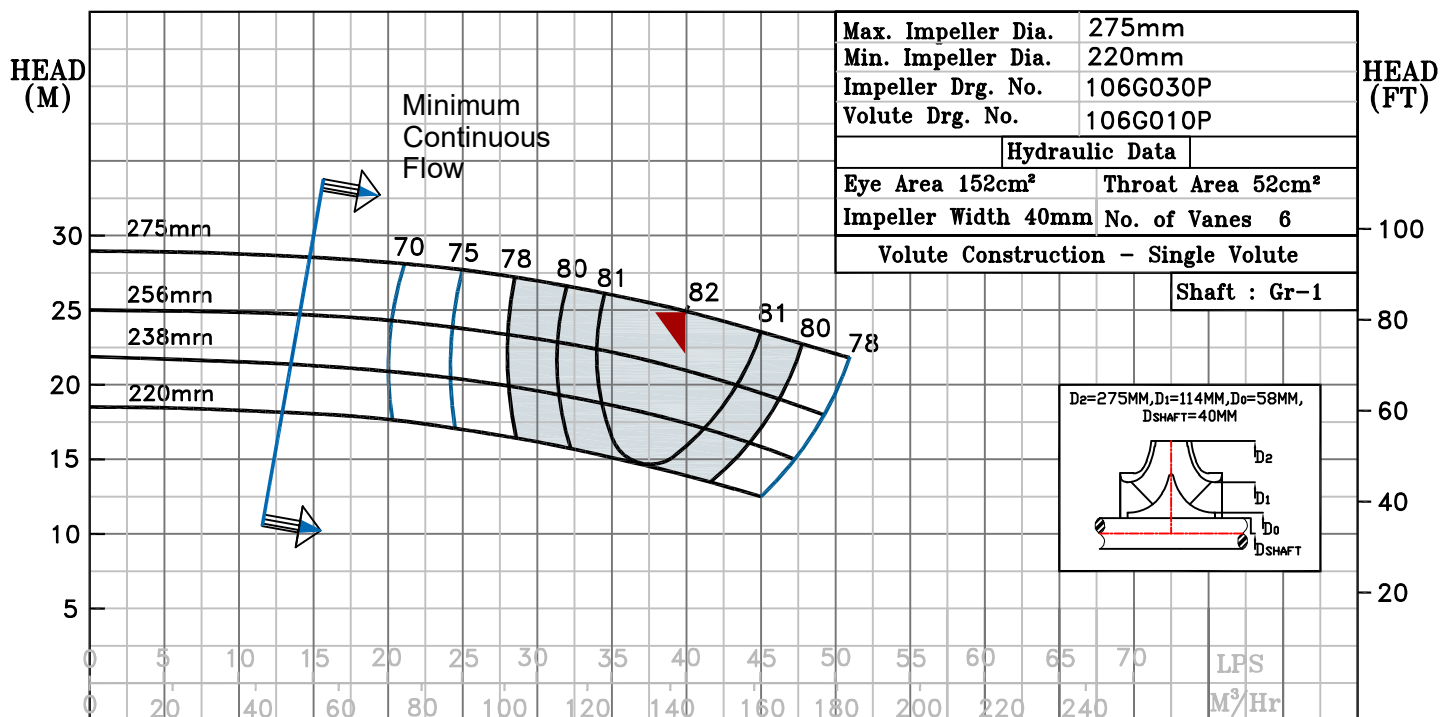


HS RANGE

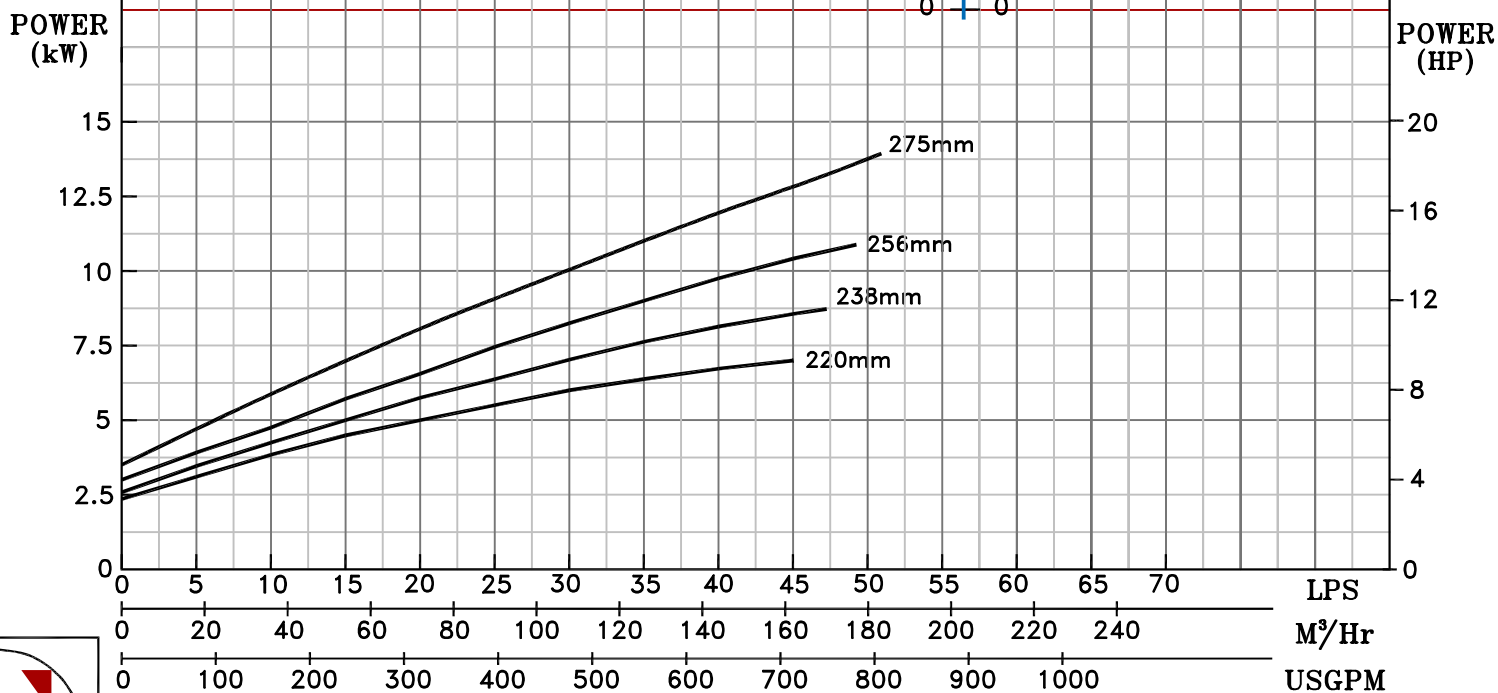
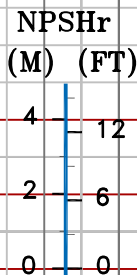
MODEL 4HS11	WORKING PRESS. 16 bar
SIZE 125x100-275	TEST PRESS. 24 bar
TYPE-AXIALLY SPLIT CASE SINGLE STAGE	
SPEED 1480 rpm	
DATE - 06.10.2022	

SHADED REGION ON THE H-Q CURVE REPRESENTS OPTIMUM SELECTION ZONE

PUMP PERFORMANCE CHARACTERISTICS COMPUTED BASED ON CLEAN COLD WATER S.G 1.0



B.E.P Flow	144 M ³ /Hr.
B.E.P Head	25 M
Speed	1480 R.P.M
Ns : 1368 US UNITS	



1480 RPM

