

NOTE- PERFORMANCE AS PER ISO 9906 GRADE-2B

PERFORMANCE CURVE OF 12HS18 @1480 R.P.M

12HS18/Y/104254

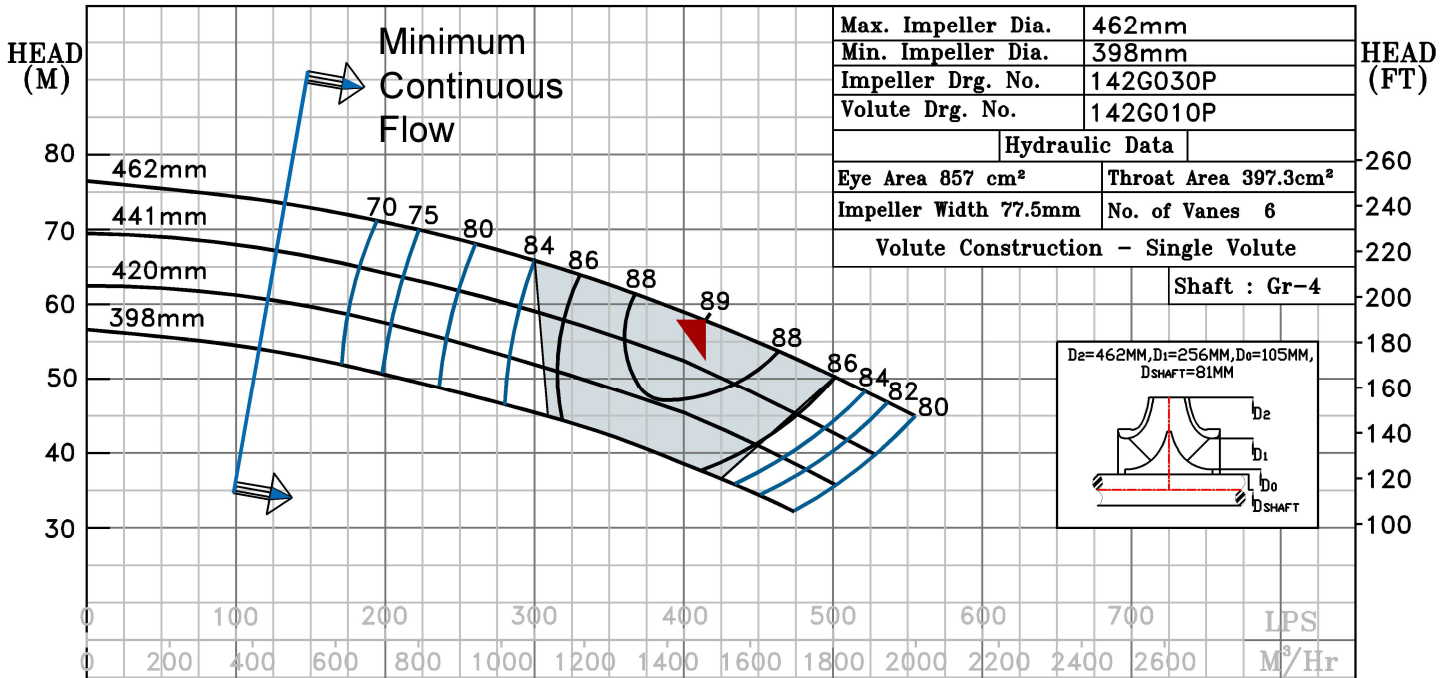


HS RANGE

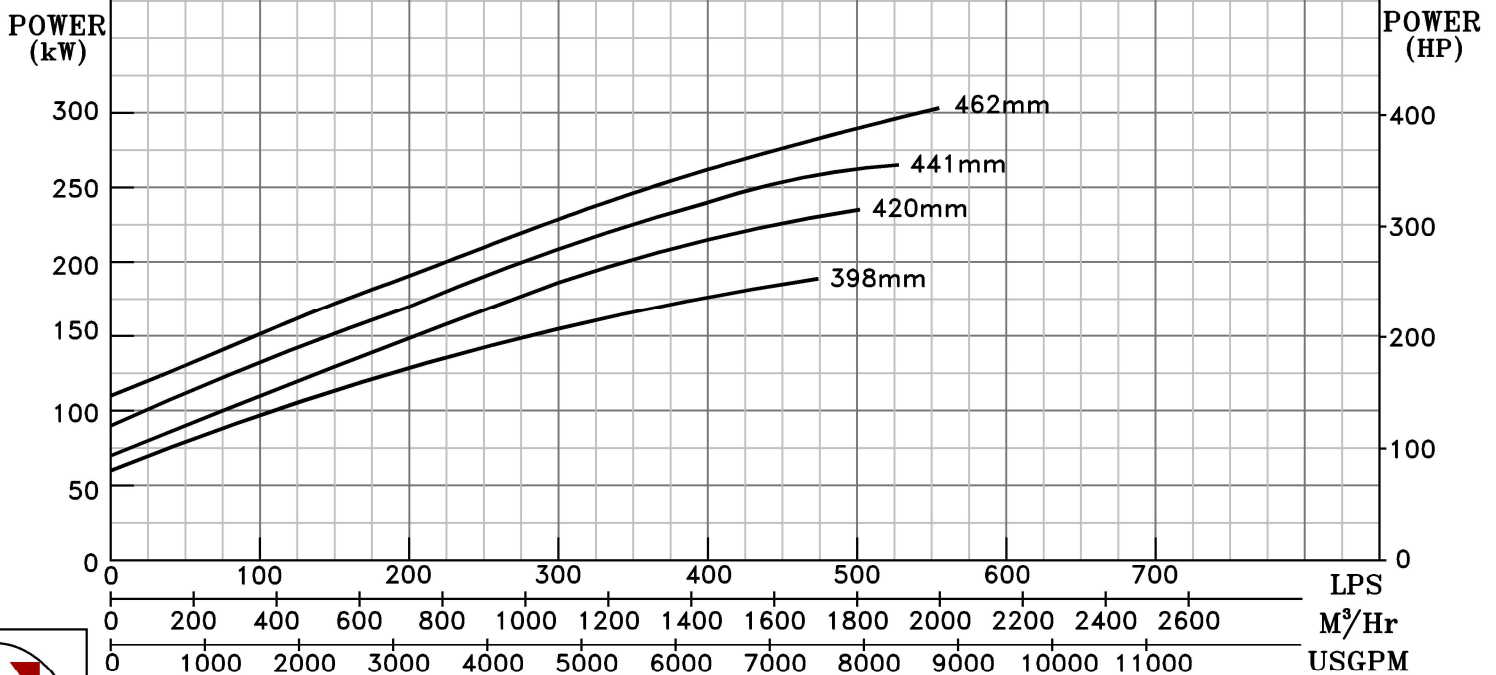
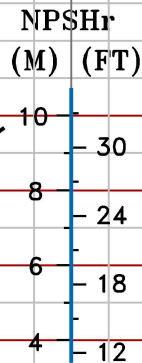
MODEL 12HS18	WORKING PRESS. 16 bar
SIZE 350x300-462	TEST PRESS. 24 bar
TYPE-AXIALLY SPLIT CASE SINGLE STAGE	
SPEED 1480 rpm	
DATE - 06.10.2022	

SHADED REGION ON THE H-Q CURVE REPRESENTS OPTIMUM SELECTION ZONE

PUMP PERFORMANCE CHARACTERISTICS COMPUTED BASED ON CLEAN COLD WATER S.G 1.0



B.E.P Flow	1494 M <sup>3</sup> /Hr.
B.E.P Head	58 M
Speed	1480 R.P.M
Ns : 2343 US UNITS	



1480 RPM