
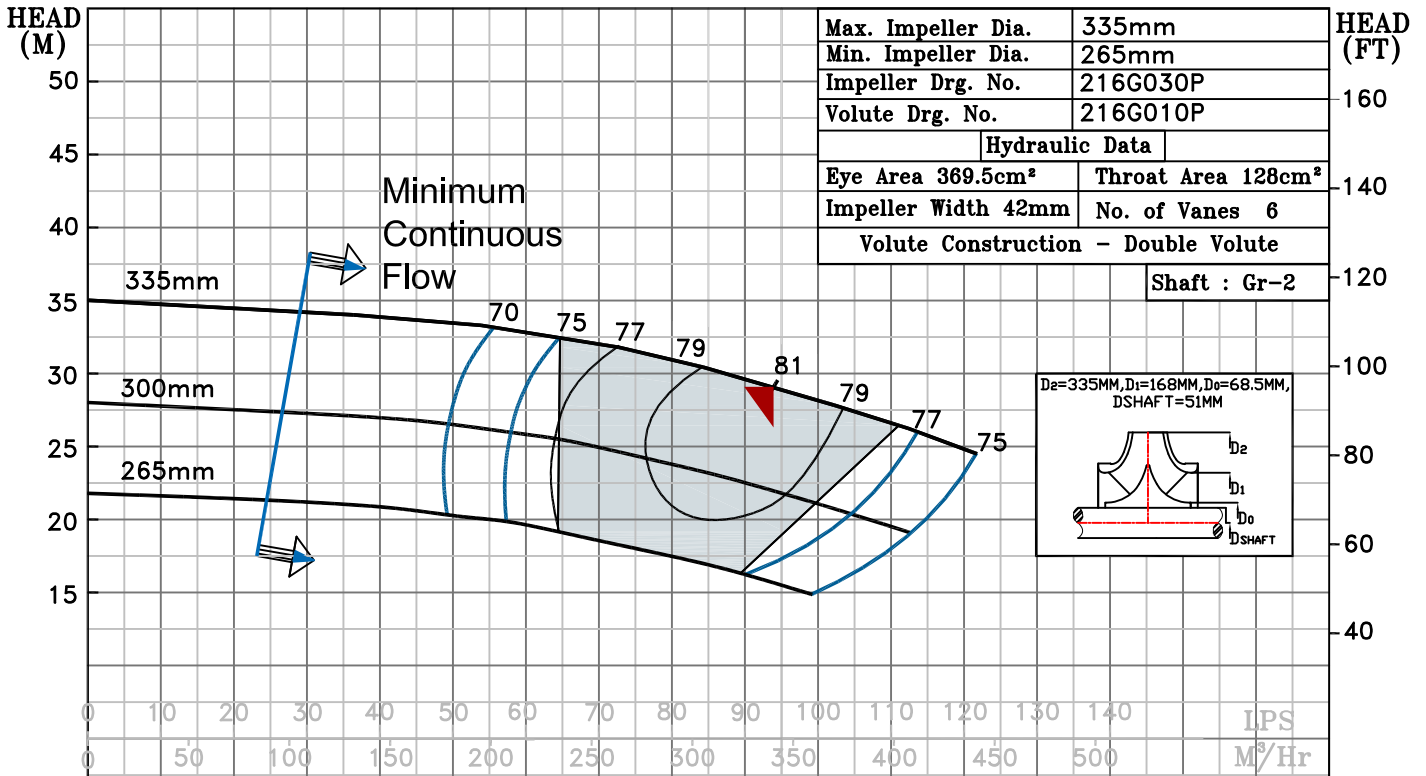


NOTE- PERFORMANCE AS PER ISO 9906 GRADE-2B

PERFORMANCE CURVE OF 150MA @1465 R.P.M		150MA/X/201654	
 <h1>PUMPSENSE</h1> <p><i>CSC RANGE</i></p>	MODEL 150MA	WORKING PRESS.	12 bar
	SIZE 200x150-335	TEST PRESS.	18 bar
	TYPE-AXIALLY SPLIT CASE SINGLE STAGE		SPEED 1465 rpm
SHADED REGION ON THE H-Q CURVE REPRESENTS OPTIMUM SELECTION ZONE			DATE - 10.08.14

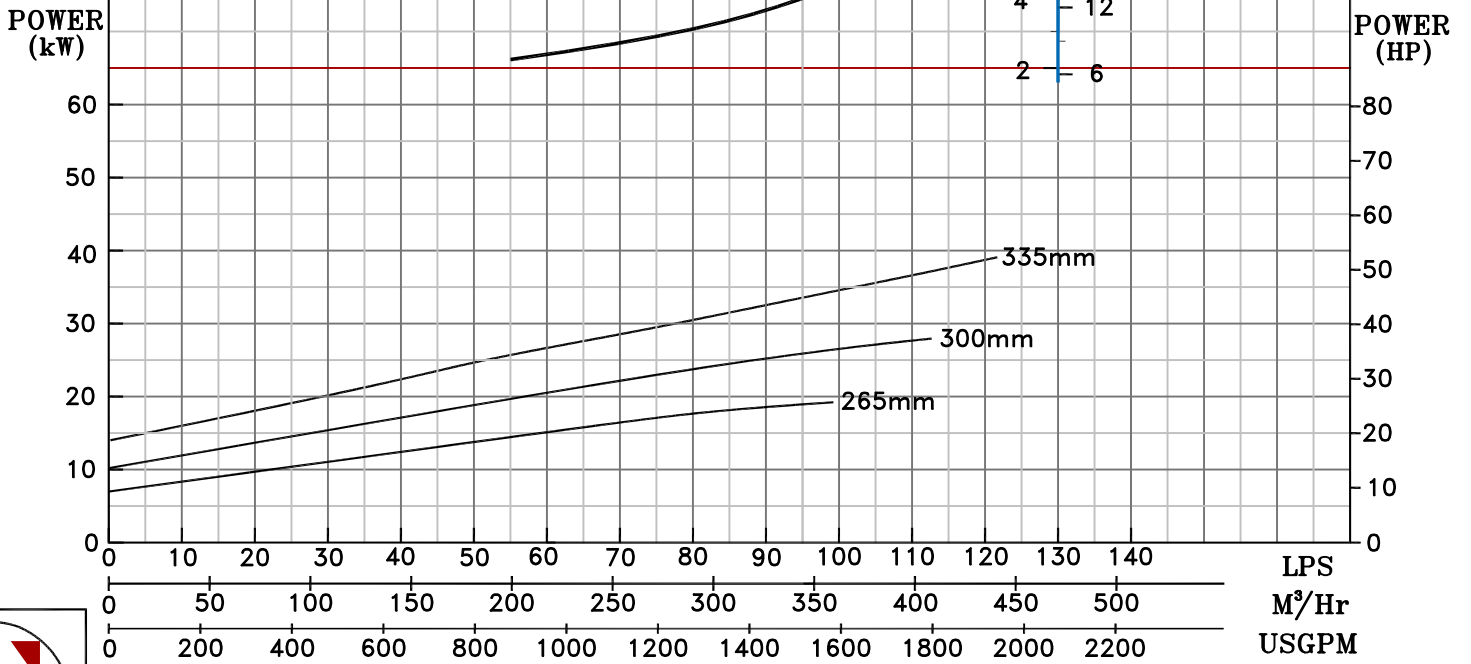
PUMP PERFORMANCE CHARACTERISTICS COMPUTED BASED ON CLEAN COLD WATER S.G 1.0

Max. Impeller Dia.	335mm
Min. Impeller Dia.	265mm
Impeller Drg. No.	216G030P
Volute Drg. No.	216G010P
Hydraulic Data	
Eye Area 369.5cm ²	Throat Area 128cm ²
Impeller Width 42mm	No. of Vanes 6
Volute Construction - Double Volute	
Shaft : Gr-2	



B.E.P Flow	338.4 M ³ /Hr.
B.E.P Head	29.07 M
Speed	1465 R.P.M
Ns : 1852 US UNITS	

NPSHr	
(M)	(FT)
8	24
6	18
4	12
2	6



1465 RPM